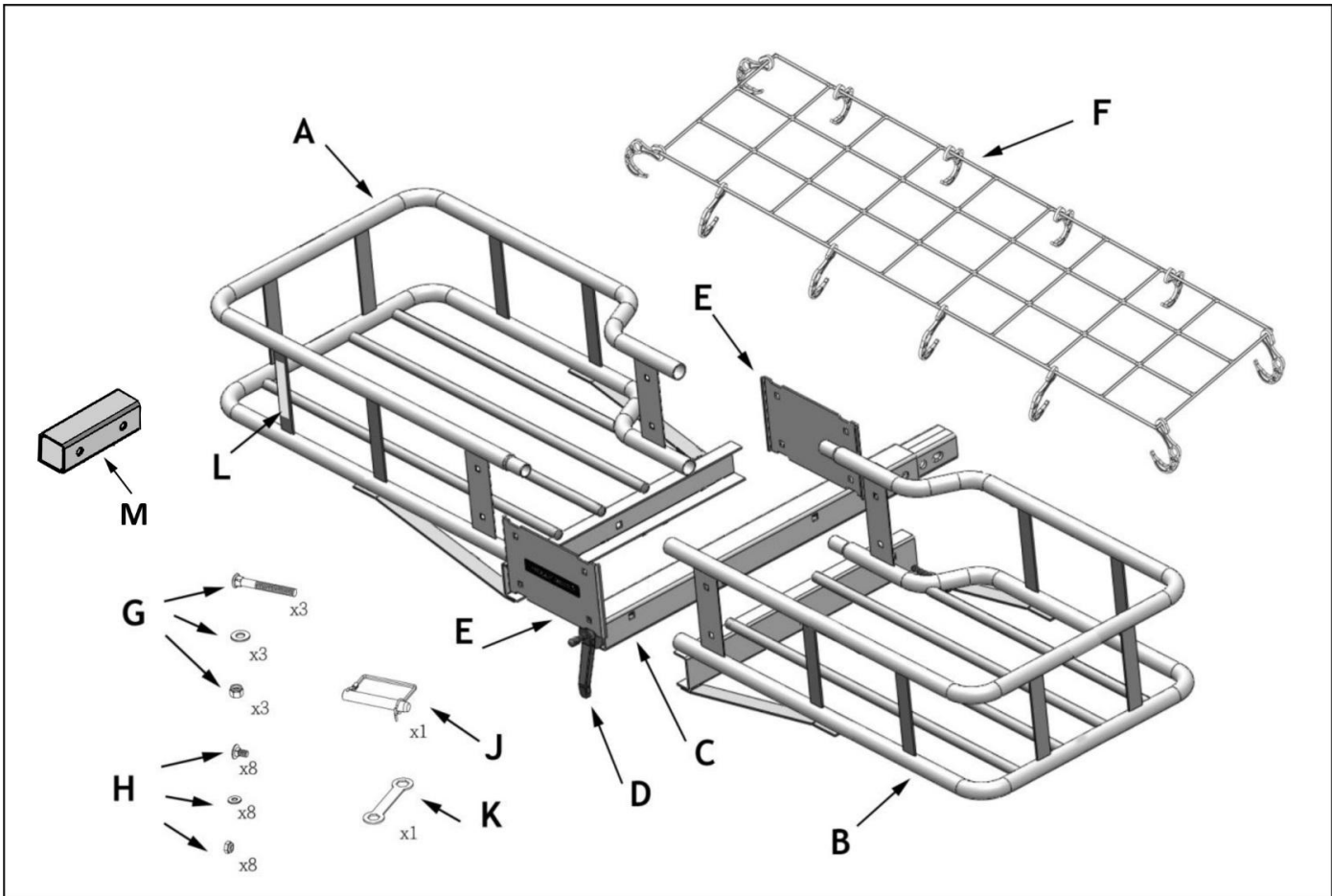


Hitch Basket Model HR1485

- Fits Hollywood Sport Rider racks, models HR1400 and HR1450. **Not to be used on any trailer, fifth wheel or vehicle being towed by another vehicle**



Assembly:

Item	Description	Qty
A	Driver side frame	1
B	Passenger side frame	1
C	Main beam	1
D	"No wobble" lever	1
E	Center plate	2
F	Cargo net	1
G	3/8-16 hardware set	3
H	5/16-18 hardware set	8
J	1/2" snapper pin	1
K	Wrench	1
L	Reflective tape	1
M	Stand Alone Adapter Tube	1

Wrench included, but we recommend using a ratchet wrench with a 9/16" (14mm) and 1/2" (13mm) sockets for faster assembly.

Step 1: Place the two basket frames upside down on a table or flat surface, per Fig. A.

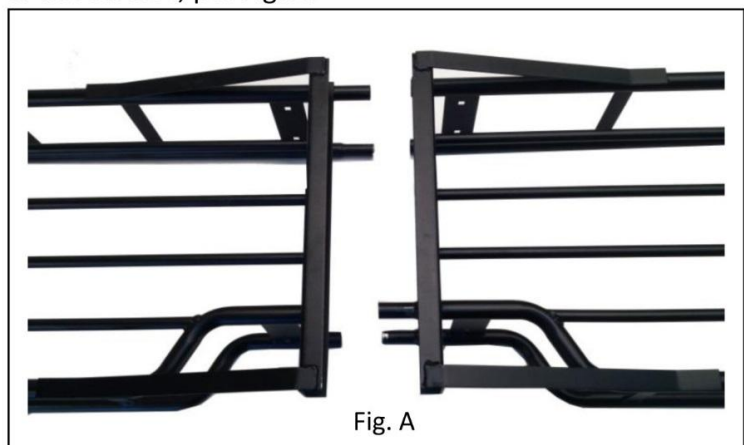


Fig. A

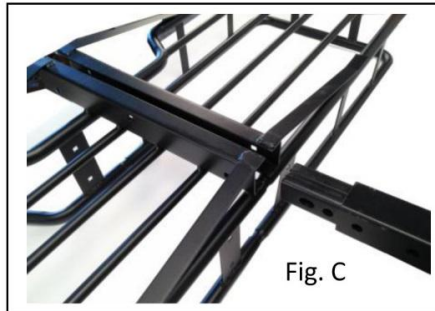
Step 2: Slide the two frames together, joining the tubes so there is about a ½" gap between them, per Fig. B.

Step 3: Slide the Main Beam (C) into the opening created at the bottom of the two frames, making sure the holes are aligned, per Fig. C.

Note hole locations on main beam and frames.

Insert 3/8" bolts (G) through the holes, and install washers and nuts. Tighten evenly using included wrench or 9/16" (14mm) wrench drawing the two sides together. All nuts and bolts should be tight and there should be a very small gap, if any between the two frames, per Fig. D.

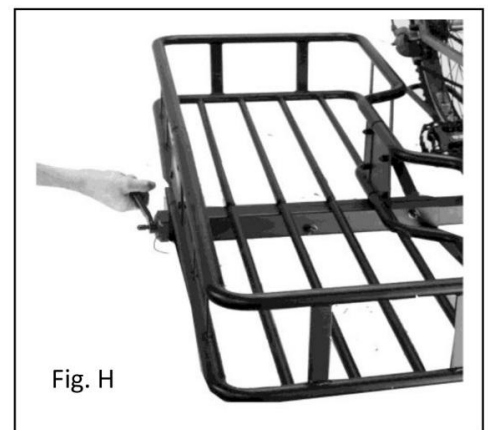
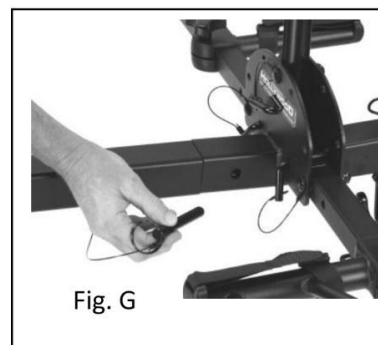
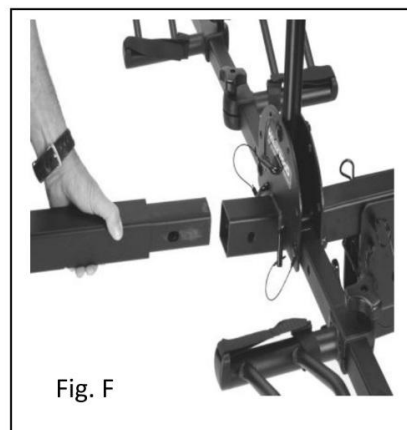
Step 4: Turn basket right side up. Attach Center plates (E) to basket with 5/16" hardware, as shown in Fig E. Tighten nuts securely with a ½" or 13mm wrench.



Installation onto the bike rack:

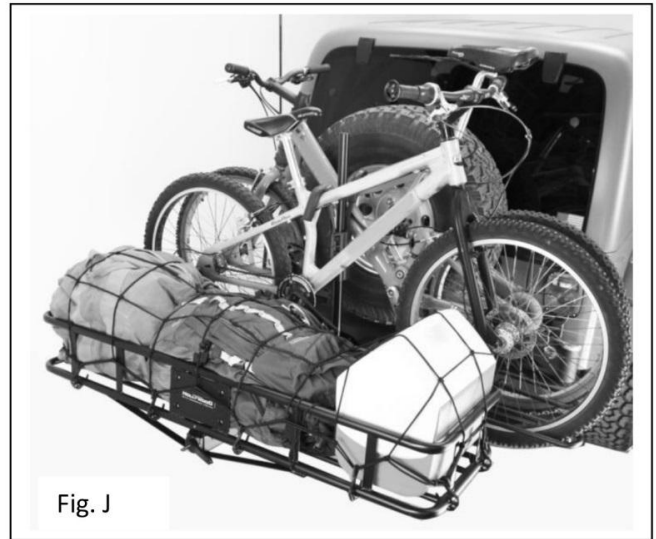
Note: Remove front square reflector cap on the Sport Rider, if present. You will need a Phillips head screwdriver (screw located on bottom of tube). *Please put it someplace where you won't lose it!* Slide basket into the bike rack, per Fig. F. Insert the pin through the holes, per Fig. G. Be sure that the pin passes through the welded loop on the end the bolt attached to the lever D. Secure clasp on snapper pin.

Tighten lever D until snug. Do not OVER torque! Be sure the lever is positioned parallel to the ground or higher, per Fig. H.



Loading the hitch basket:

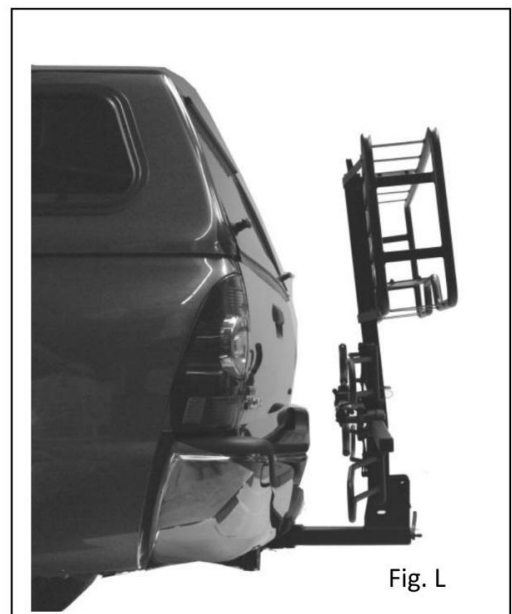
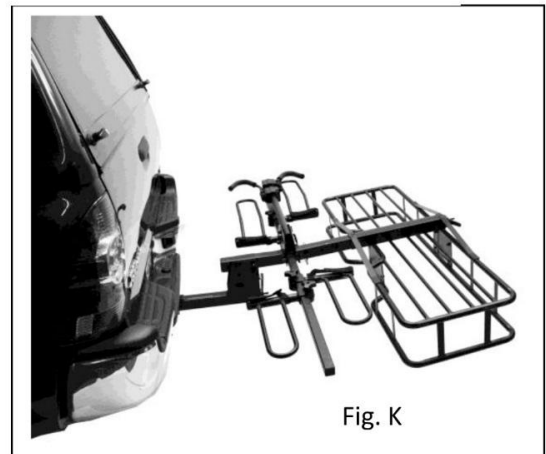
Note: maximum load capacity is 100 lbs when used with bicycles, 220 lbs when used as “stand alone” (see “stand alone” section page 4)



Evenly distribute the gear, as shown in Fig. J and secure using cargo net. Use additional cargo tie-down straps (not included) if needed.

Fold up and tilt down functions:

The bike rack with hitch basket installed will tilt down and fold up in the same way as the bike rack only version. **PLEASE NOTE THE FOLLOWING WHEN FOLDING UP:** To fold the rack flat against the vehicle with the hitch basket, you may need to remove the basket and reinstall “inverted” or upside down, per Fig. K. *This must be done if there is not adequate clearance between the rear of the vehicle and the top of the basket, when folded. Check carefully the first time you use the folding feature to be sure you have adequate clearance.* Be sure to return the basket to the normal position when in use, per Fig. I.



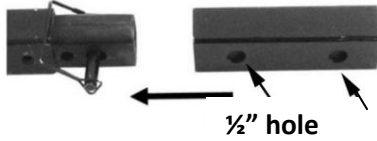
Installation of reflective tape:

Cut the reflective self adhesive tape (L) into 3” or 4” strips and install onto vertical support struts, as indicated on Page 1, item L.

Using the cargo carrier in "Stand Alone" mode (without bike rack)



2" adapter tube
(Item M) required



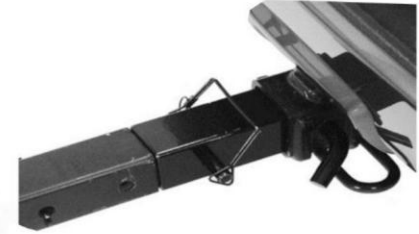
1/2" hole 3/4" hole

Step 1:
Remove 1/2" snapper pin from cargo carrier. Insert the 1/2" hole side of the adapter tube onto the cargo carrier.



Step 2:
Re-attach snapper pin through holes as shown. Be sure pin passes through the loop of the "no wobble" bolt.

Step 3:
Tighten the handle on the front of the carrier. Adapter tube should now be tight. Be Sure the handle is pointed upwards or sideways after tightening.



Step 4: Insert the cargo carrier into the 2" hitch. Align the holes of the adapter tube with the holes on the hitch and insert the hitch pin. Be sure to lock the hitch pin. NOTE: Use a hitch tightener or hitch clamp (sold separately) to prevent cargo carrier movement and wobble.

Limited Lifetime Warranty (effective January 1, 2008):

Hollywood Racks will warrant its car racks and accessories during the time that an original retail purchaser owns the product subject to the exclusions and limitations of this warranty. Hollywood Racks will remedy defects in materials and workmanship by repairing or replacing (at its option) a defective part without charge for labor or parts. Hollywood Racks may elect (at its option) to issue a refund equal to the purchase price paid for the product.

This warranty does not cover problems caused by normal wear and tear including (but not limited to) weather, scratches, dents, rust, accidents, unlawful vehicle operation, misuse, abuse, neglect, theft, unauthorized modifications, or unauthorized repair. No warranty is given for defects resulting in incorrect assembly, incorrect installation onto the vehicle, installation on a "no fit" vehicle, incorrect attachment of bicycles onto the rack, or overloading of the rack's weight restrictions. This warranty terminates if the original retail purchaser transfers the product to any other person.

If a product is believed to be defective, the original retail purchaser should contact either the original retailer or Hollywood Racks directly at 800-747-4085 or at info@hollywoodracks.com

Disclaimer of Liability: Repair or replacement of a defective product or the issuance of a refund or credit (as determined by Hollywood Racks) is a purchaser's exclusive remedy under this warranty. Damage to a purchaser's vehicle, cargo, bicycles and or to any other person is excluded. This warranty is expressly made in lieu of any and all other express warranties, whether oral or written.

Hollywood Racks shall not be liable for any direct, indirect, consequential, incidental, special, punitive or any other damages in connection with the purchase, use or handling of this product.

Some states do not allow the exclusion or limitation of consequential or incidental damages and the above limitation may not apply to you. This warranty gives you specific legal rights and you have other rights, which vary from state to state.

Made in Taiwan

Hollywood Racks
12812 South Spring Street Los Angeles, CA 90061
(800)747-4085 (310)516-8600 Fax 310) 516-8955
Customer Service Hours: M-F 8:00 AM - 3:00 PM PST
www.hollywoodracks.com info@hollywoodracks.com

V7 8.14